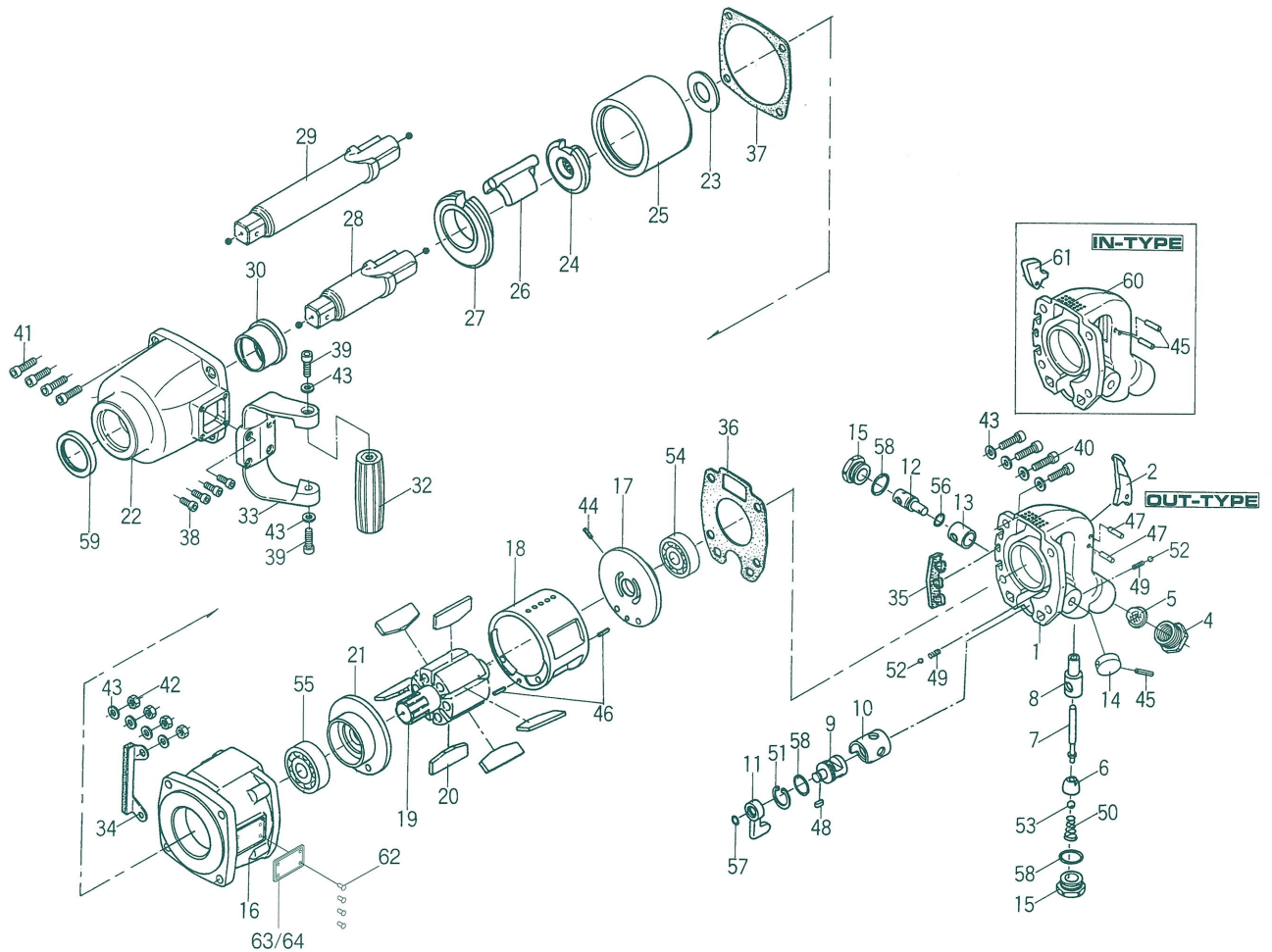


UW-381 & 381L IMPACT WRENCHES

EXPLODED VIEW



PARTS LIST

Index No.	Code No.	Parts Name	Quantity	Index No.	Code No.	Parts Name	Quantity	Index No.	Code No.	Parts Name	Quantity
# 1	116-010-0	Handle (Out)	1	#23	116-310-0	Anvil Rear Spacer	1	#45	973-124-0	Roll Pin (3×24)	1
# 2	109-107-1	Throttle Trigger	1	#24	116-311-0	Hammer Cam	1	#45	973-124-0	Roll Pin (3×24) for IN TYPE	2
# 4	116-091-0	Air Inlet Bushing	1	#25	116-312-0	Hammer Cage	1	#46	973-214-0	Roll Pin (4×14)	2
# 5	116-835-0	Filter	1	#26	116-313-0	Hammer	1	#47	973-220-0	Roll Pin (4×20)	2
# 6	116-100-1	Valve	1	#27	116-326-0	Hammer Cage Bushing	1	#48	974-008-0	Key (3×8)	1
# 7	116-104-0	Valve Rod	1	#28	116-319-0	Anvil (O)	1	#49	976-032-0	Spring (3.6×13×0.5)	2
# 8	116-103-0	Valve Rod Bushing	1	#29	116-323-2	Extended Anvil (O)	1	#50	977-257-0	Cone Spring (10×15×25)	1
# 9	116-210-0	Reverse Valve	1	#30	116-328-0	Anvil Bushing	1	#51	979-017-0	Inner Snap Ring (24)	1
#10	116-211-0	Reverse Valve Bushing	1	#32	116-720-0	Dead Handle	1	#52	981-003-0	Ball (5/32)	2
#11	116-212-0	Reverse Lever	1	#33	116-722-0	Dead Handle Connector	1	#53	981-032-0	Ball (7/16)	1
#12	116-240-0	Regulator Valve	1	#34	116-840-0	Casing Protector	1	#54	982-204-0	Ball Bearing (6204)	1
#13	116-241-0	Regulator Valve Bushing	1	#35	116-842-0	Handle Cover	1	#55	982-205-0	Ball Bearing (6205)	1
#14	116-242-1	Regulator Dial	1	#36	116-850-0	Handle Packing	1	#56	990-011-0	O-Ring (P12)	1
#15	116-243-0	Regulator Valve Cover	2	#37	116-857-0	Hammer Casing Packing	1	#57	990-906-0	O-Ring (SNS-8)	1
#16	116-025-0	Casing	1	#38	945-114-0	Allen Head Bolt (M5×14)	4	#58	990-918-0	O-Ring (SNS-20)	3
#17	116-285-0	Rear Plate	1	#39	945-318-0	Allen Head Bolt (M8×18)	2	#59	995-201-0	Oil Seal (VB40525)	1
#18	116-286-0	Cylinder	1	#40	945-330-0	Allen Head Bolt (M8×30)	4	#60	116-010-1	Handle (In)	1
#19	116-287-0	Rotor	1	#41	945-335-0	Allen Head Bolt (M8×35)	4	#61	085-107-1	Throttle Trigger	1
#20	116-288-1	Blade	6	#42	960-048-0	Hexagon Nut (1-M8)	4	#62	930-205-0	Drive Rivet No.OX2.6	4
#21	116-289-0	Front Plate	1	#43	961-014-0	Flat Washer (8)	10	#63	116-924-1	Name Plate (UW-381)	1
#22	116-028-0	Hammer Casing	1	#44	973-110-0	Roll Pin (3×10)	1	#64	116-924-2	Name Plate (UW-381L)	1

When ordering spare parts, please specify tool type, code number and parts name.

Printed in Japan



URYU SEISAKU, LTD. Osaka, Japan

For further information, please contact at any time your nearest URYU distributor.

OKA-440-22-10-03-0507