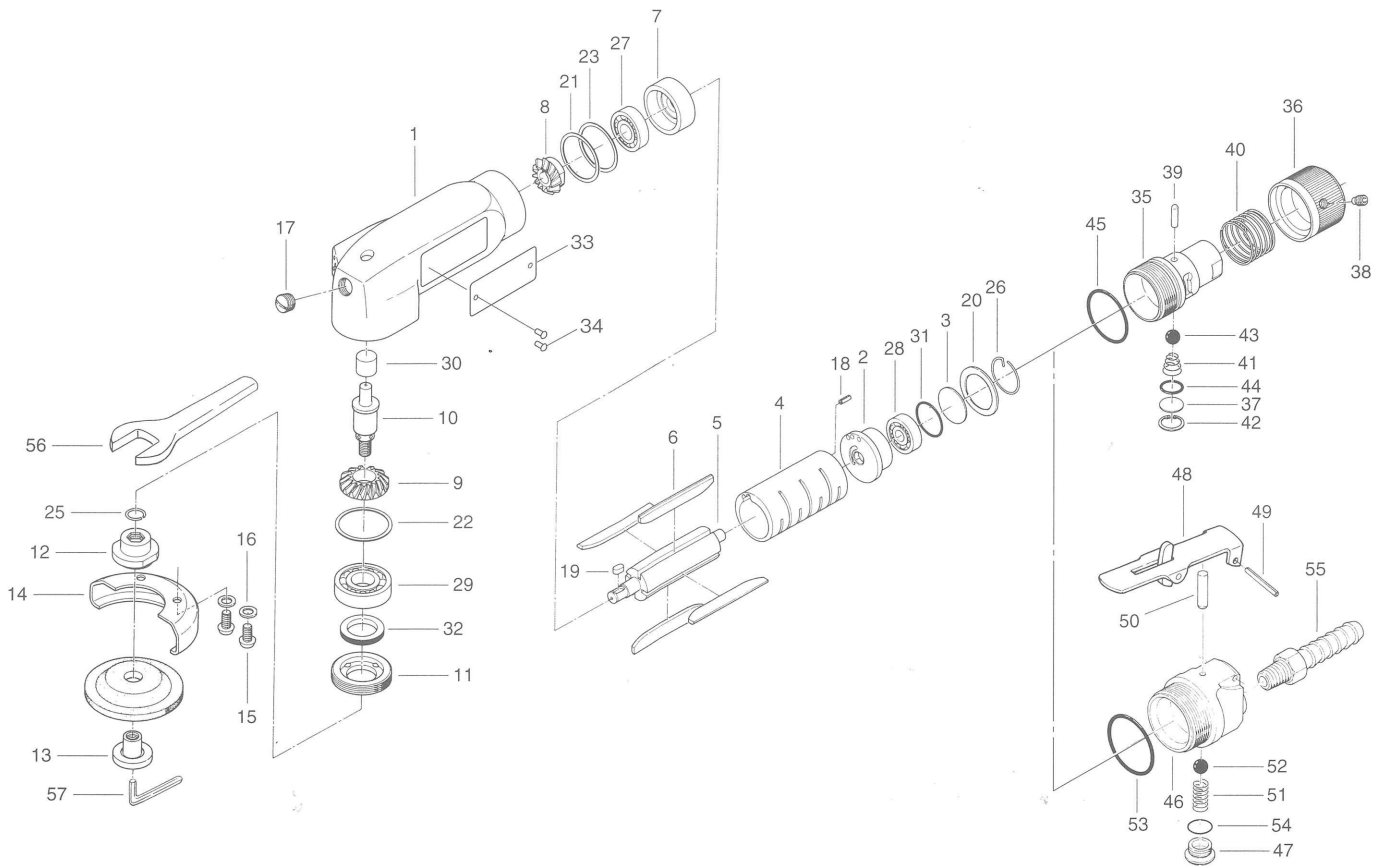


AG-50&50L ANGLE GRINDERS

EXPLODED VIEW



PARTS LIST

Index No.	Code No.	Parts Name	Quantity	Index No.	Code No.	Parts Name	Quantity	Index No.	Code No.	Parts Name	Quantity
# 1	536-025-2	Casing	1	#22	975-811-0	Spacer (28×26×t)	1	#42	979-005-0	Inner Snap Ring (12)	1
# 2	505-285-2	Rear Plate	1	#23	975-799-0	Adjusting Spacer (27×23×t)	1	#43	981-207-0	Ball (Black) (9/32)	1
# 3	505-291-1	Rear Plate Spacer	1	#25	978-097-0	Snap Ring (9.5×0.8)	1	#44	990-908-0	O-Ring (SNS10)	1
# 4	505-286-1	Cylinder	1	#26	978-219-0	Snap Ring (22×1.2)	1	#45	990-919-0	O-Ring (SNS22)	1
# 5	536-287-2	Rotor	1	#27	982-015-0	Ball Bearing (608)	1	Parts for AG-50L			
# 6	505-288-1	Blade	4	#28	982-021-0	Ball Bearing (626)	1	#46	504-014-5	Handle Body	1
# 7	536-289-2	Front Plate	1	#29	982-101-0	Ball Bearing (6001)	1	#47	601-108-1	Valve Plug	1
# 8	536-420-2	Driving Gear.	1	#30	988-340-0	Needle Roller Bearing (TLAM69)	1	#48	500-914-7	Self-Locking Valve Lever Assy.	1
# 9	536-430-2	Driven Gear	1	#31	990-914-0	O-Ring (SNS16)	1	#49	973-020-0	Roll Pin (2×20)	1
#10	536-390-2	Wheel Spindle	1	#32	993-023-0	Felt-Ring (15×22×3)	1	#50	970-222-0	Pin (H) (3×22)	1
#11	536-065-2	Casing Front Cover	1	#33	536-924-2	Name Plate	1	#51	976-114-0	Spring (6×18×0.55)	1
#12	536-393-2	Wheel Holder Flange	1	#34	930-205-0	Driver Rivet (No.0×2.6)	2	#52	981-207-0	Ball (Black) (9/32)	1
#13	536-394-2	Wheel Nut Flange	1	Parts for AG-50			#53	990-923-0	O-Ring (SNS26)	1	
#14	536-759-3	Wheel Guard	1	#35	507-014-9	Handle Body	1	#54	990-904-0	O-Ring (SNS6)	1
#15	945-943-0	Hexagon Round Head Bolt (M4×8)	2	#36	507-015-9	Valve Handle	1	ACCESSORIES			
#16	961-010-0	Flat Washer(4)	2	#37	621-164-0	Spring Spacer	1	#55	940-114-0	Air Hose NIPPLE (NPT1/4×3/8)	1
#17	966-100-0	Plug (1/8)	1	#38	952-204-0	Allen Head Dog Point Screw (M5×5-L)	1	#56	936-521-0	Spanner (21)	1
#18	973-006-0	Roll Pin (2×6)	1	#39	970-211-0	Pin (H)(3×12)	1	#57	939-104-0	Allen Wrench (5mm)	1
#19	974-005-0	Key (3×6)	1	#40	976-528-0	Spring (22.5×15×1.2)	1	#58	942-114-0	Connecting Screw (1/4×NPT1/4)	1
#20	975-785-0	Adjusting Spacer (27×25×t)	1	#41	977-102-0	Cone Spring (6×9×8×0.6)	1				
#21	975-212-0	Spacer (27×23×0.5)	1								

When ordering spare parts, please specify tool type, code number and parts name.

Printed in Japan



URYU SEISAKU, LTD. Osaka, Japan

For further information, please contact at any time your nearest URYU distributor.

OKA-515-24-10-11-1004